

ENGINEERED PRODUCTS AND SERVICES

WORKING SMARTER TO ACHIEVE BETTER PROJECT OUTCOMES



**GERMAN QUALITY
AND ENGINEERING**



SAI GLOBAL SAI GLOBAL SAI GLOBAL



MINING



POWER GENERATION



MANUFACTURING



CONSTRUCTION



MARITIME



RENEWABLE ENERGY



A decorative graphic consisting of a grid of thin, light blue lines that tapers off to the right, positioned above the main title.

THE COMPLETE SOLUTION

CONCEPT

Innovative thinking, conceptual modelling, WHSE compliance.

DESIGN

Detailed engineering drawings, 3D modelling, structural analysis and finite element modelling.

CERTIFICATION

Certify to Australian, EN and ISO standards.

MANUFACTURE

Experienced manufacturing team to provide complete manufacturing solutions.

SITE SERVICING

Extensive experience in project management across all facets of applications.

TESTING & COMMISSIONING

Proof and destructive testing, quality control and commissioning in accordance with standards.

TECHNICAL SUPPORT

Ongoing support and training, technical inspections and non-destructive testing.

A large, 3D-rendered version of the RUD logo in a metallic, grey-blue finish. The letters are thick and blocky, with a slight shadow cast beneath them, set against a light blue background with a subtle grid pattern.

OUR EXPERTISE



At RUD, we understand that productivity, safety and reliability is what creates sustainable value and helps businesses remain relevant and competitive.

Our reputation is built on quality, professionalism, and unrivalled customer service.

We deliver quality niche products in a timely manner that increases operational speed, efficiency and safety.

With over 500 international patents, we are proud to call ourselves an industry leader - a reputation that we maintain by ensuring every RUD product passes through our rigorous internal testing and quality control systems which include ISO 9001, ISO 14001 and AS 4801.

Highly qualified CPEng/RPEQ engineers and experienced tradespeople can manage in-house every aspect of your engineered product or service requirements to ensure you receive only the highest quality RUD products and solutions.



Our 6000m² manufacturing facility located in Brisbane has a dedicated manufacturing team to offer complete manufacturing solutions including:

- Horizontal Tensile Testing – standard and special (for very large and complex testing)
- Vertical Compression and Tensile Testing
- Paint Facility
- Small to large fabricated products
- Robotic Welding
- Hardness Testing
- Non Destructive Testing – MPI, Dye Penetrant

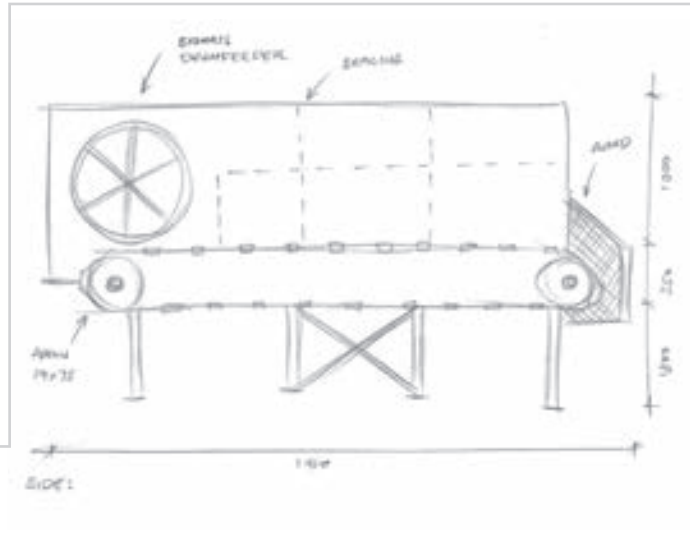


SPECIALISTS IN SAFE SOLUTIONS THAT PROVIDE PEACE OF MIND ALLOWING YOU TO FOCUS ON THE CORE AREAS OF YOUR BUSINESS.

CONCEPT TO COMPLETION

Our team of CPEng/RPEQ accredited engineers can oversee all facets of design, manufacture, testing and certification to deliver cost effective and practical solutions to engineering problems. Specialities include:

- Product Certification
- Lifting System Design
- Load Restraint Design and Service
- Materials Handling Solutions
- Inspections and Testing



1. CONCEPT

7. INSTALLATION & COMMISSIONING

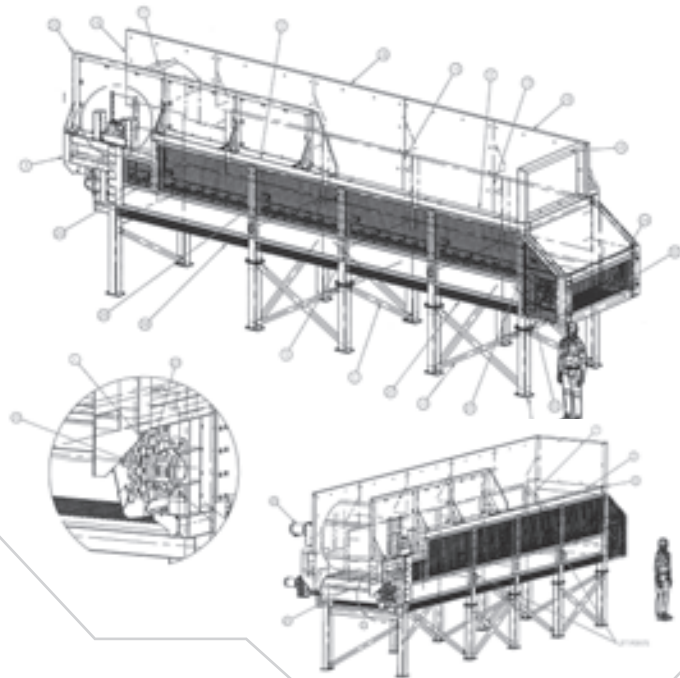


6. LOGISTICS & DESPATCH



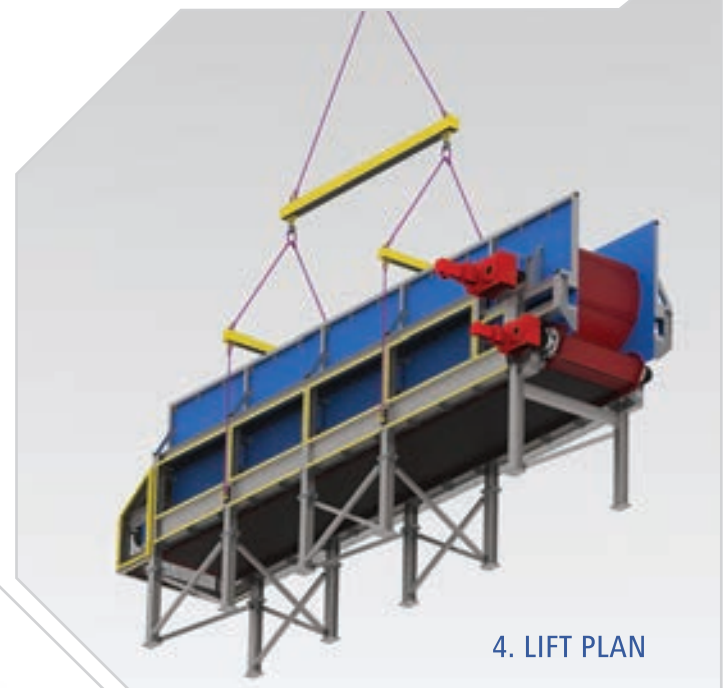
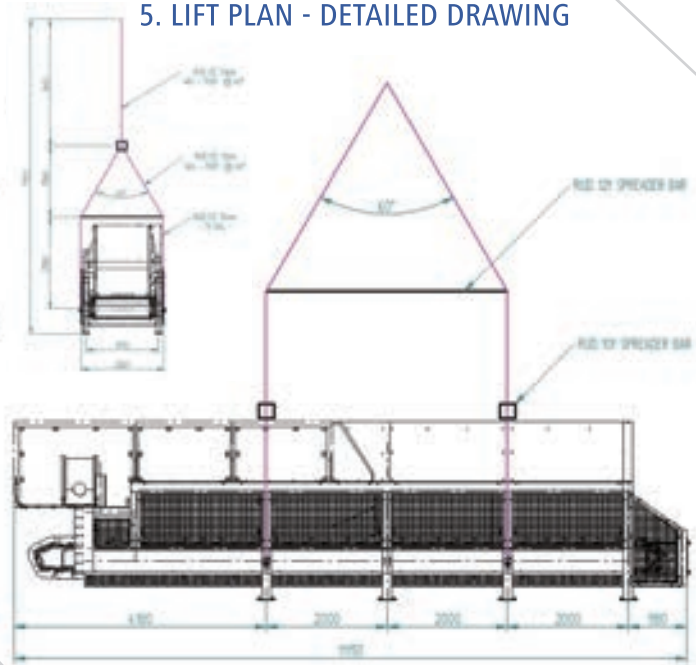


2. DETAILED DESIGN



3. MANUFACTURING

5. LIFT PLAN - DETAILED DRAWING



4. LIFT PLAN

IN-HOUSE CAPABILITIES



MANUFACTURE

RUD's state-of-the-art manufacturing facility based in Brisbane has a dedicated team of technical staff to offer complete manufacturing solutions and project management.

- In-house manufacturing of Endurequip Hoists - the only Australian made portable heavy vehicle hoist
- Sourcing of material including a warehouse of standard stock items
- Fabrication and specialised welding including robot welding
- Machining
- Non destructive testing
- Quality control in accordance with standards
- Commissioning

REFURBISHMENT

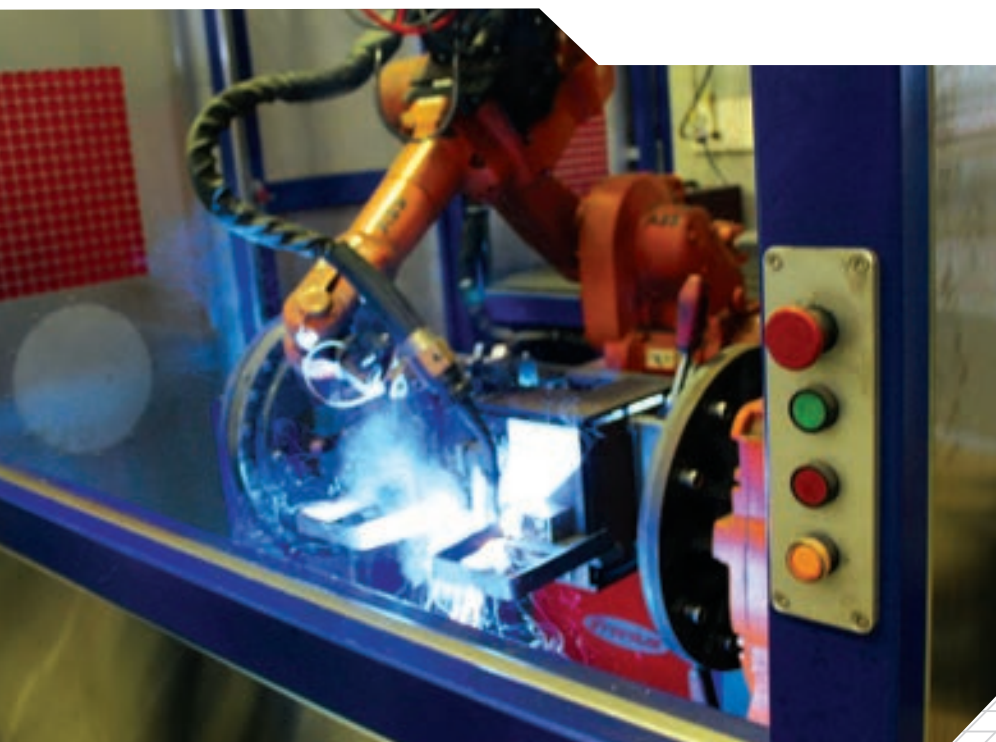
RUD repairs, refurbishes and retests all types of used equipment including conveyor systems and lifting gear (chains, beams, hooks, sheaves, frames, hoists, etc.).

SITE SERVICING AND REPORTING

RUD can manage all types of projects such as conveyor installations (new or replacement), lifting gear / procedure audits, crane audits and reports, hoist (including heavy vehicle) installations (new or replacement) plus any other related projects.

TECHNICAL SUPPORT / TRAINING

Technical support and training is available at RUD's facilities in both Brisbane and Perth, or at the customers' site.





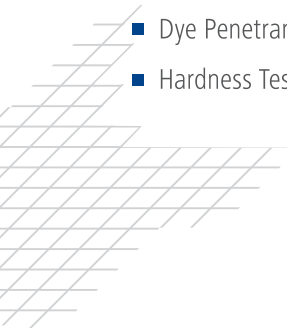
EQUIPMENT RENTAL

We offer a range of products under rental agreements including Endurequip heavy vehicle lifting hoists and Tyre Protection Chains.

NON-DESTRUCTIVE TESTING

We can offer non-destructive testing which is operated by fully qualified and certified personnel including:

- Magnetic Particle Crack Detection
- Dye Penetrant Crack Detection
- Hardness Testing



DESTRUCTIVE TESTING – PRODUCT AND DESIGN EVALUATION

Testing of products for suitability in the Australian market by checking load capacity, elongation, hardness, etc.

The reverse engineering of products and design to Australian Standards.

IN-HOUSE LOAD TESTING

Lifting and lashing equipment that is manufactured, assembled, modified or repaired at RUD is checked, proof loaded and tested as per the relevant Australian / International Standards. We offer:

- Horizontal tensile testing - standard or special (for very large and complex testing)
- Vertical tension and compressor testing



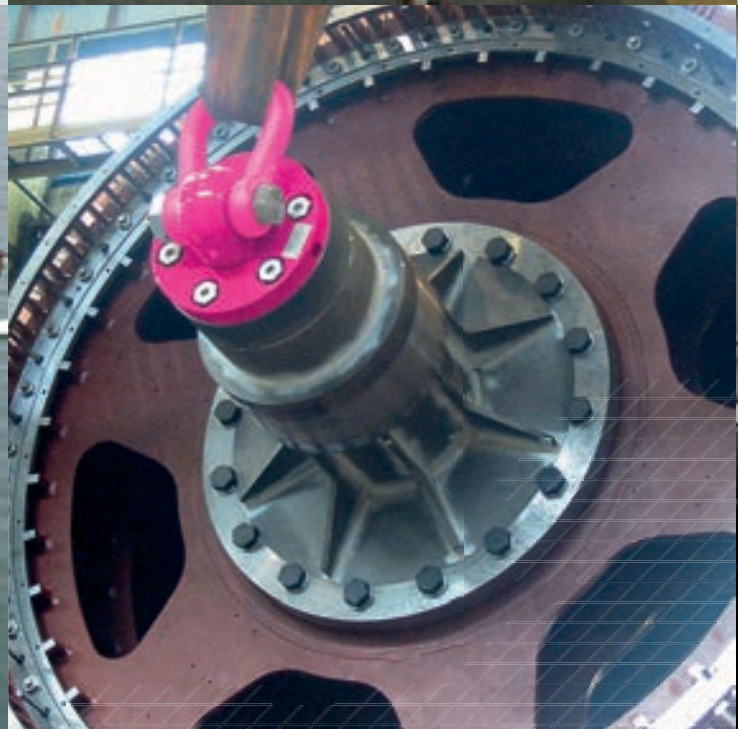
LIFTING EQUIPMENT

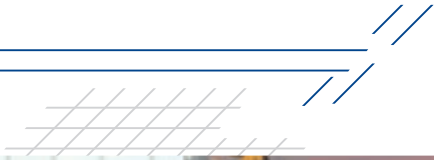
RUD Australia has over 30 years experience in the design and manufacture of high quality lifting and lashing equipment.

The RUD team work with you to design, manufacture, load test and certify standard or special fabricated lifting and lashing gear to suit your specific application.

- Beam Products - 50kg to 200t plus
- Special Lifting and Lashing Points
- Container Lifting
- Concrete Lifting (Bridge Girders and Decks)

All RUD fabricated lifting and lashing products are designed, manufactured and tested to the appropriate Australian / International Standards.

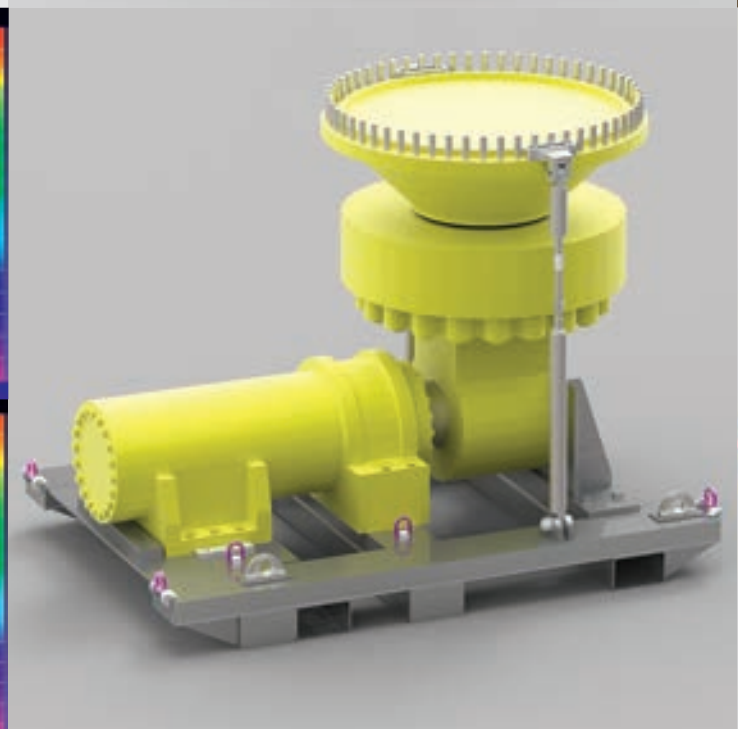
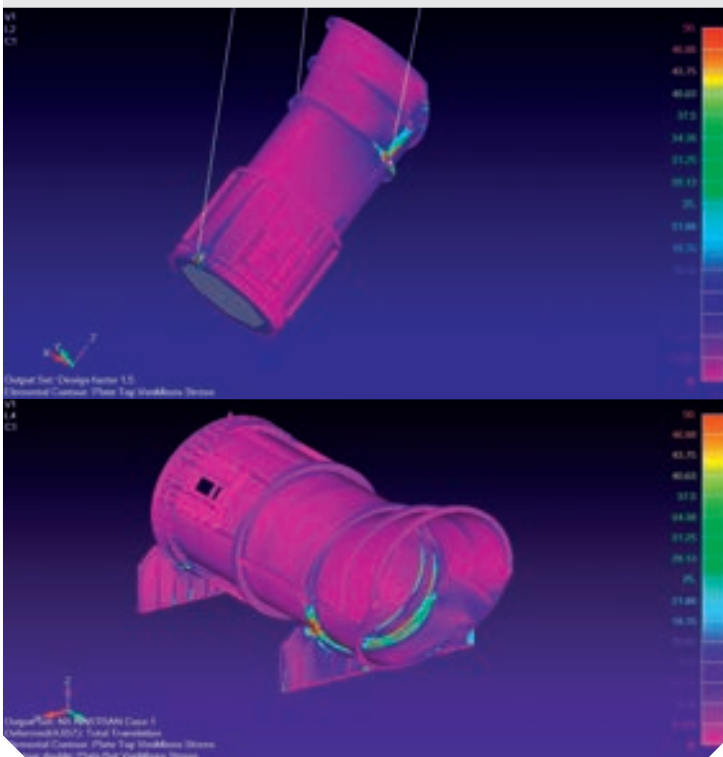


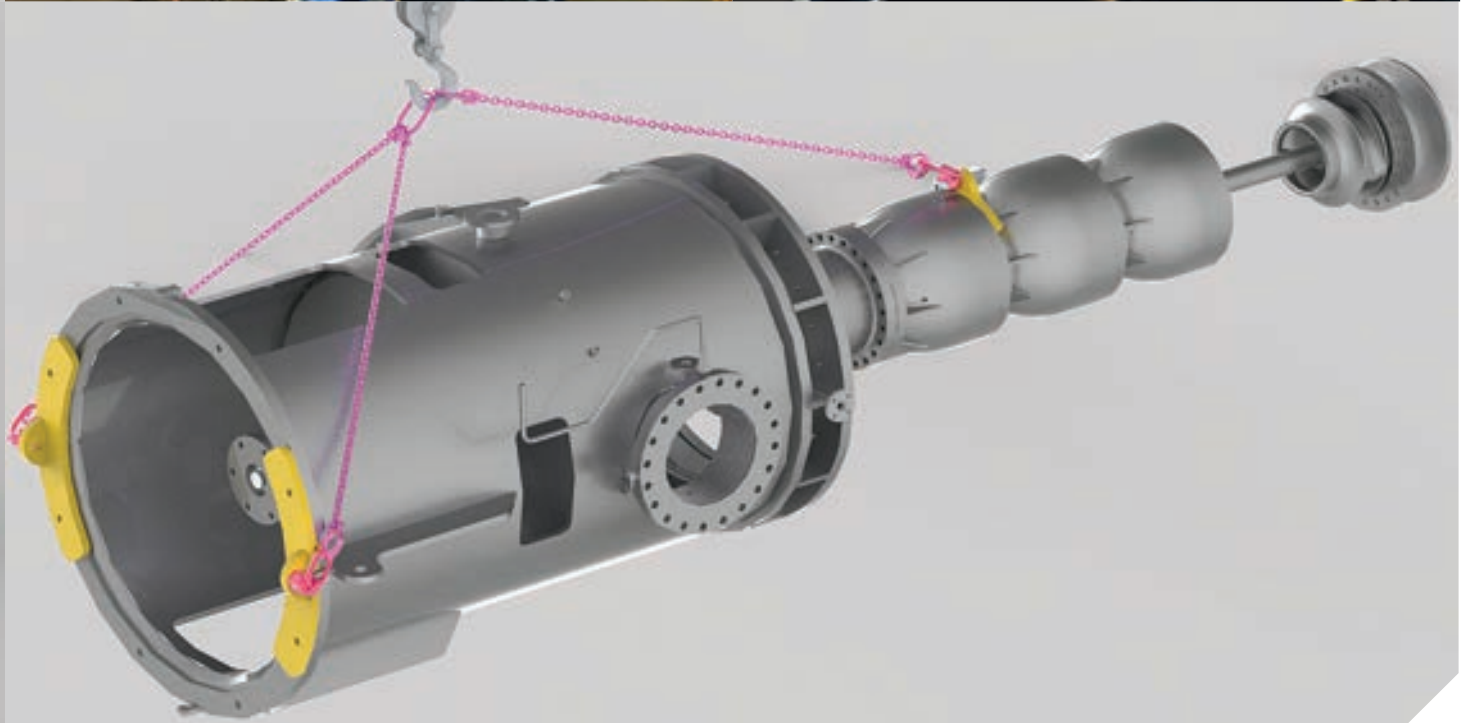


MATERIALS HANDLING

RUD provides the full package from concept to design, manufacture, certification and project management – including on-site commissioning and training.

- Material Handling Products
- Transport Skid Frames
- Offshore Equipment
- Special Containers and Lifting Beams
- Special Lifting and Lashing Points
- DNV Standard Fabrication
- General Fabrication





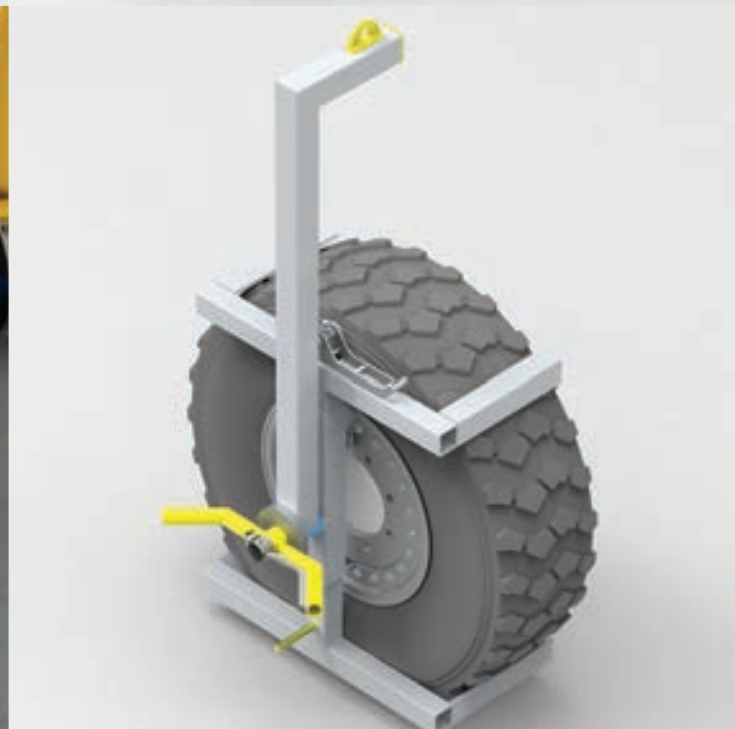
GENERAL

WORK PLATFORMS / A-FRAMES / GANTRY

Designed to your requirements, either fixed or mobile.

SPECIALS

- Baskets and Cages
- Custom Forklift Jibs
- Goods Cages
- Custom products designed to your specific application





THE COMPLETE SOLUTION

ENGINEERING SERVICES LIFTING & LASHING EQUIPMENT CONVEYOR & DRIVE TECHNOLOGY
TYRE PROTECTION & TRACTION CHAINS PORTABLE HEAVY VEHICLE HOISTS