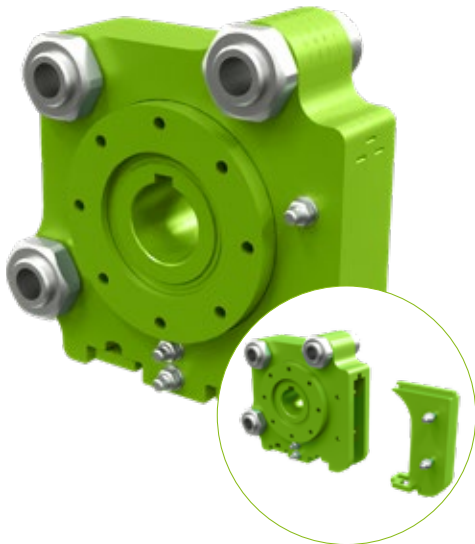


NEW

PI-GAMMA-DRIVE

THE NEXT GENERATION - MORE EFFICIENCY THROUGH FLEXIBILITY

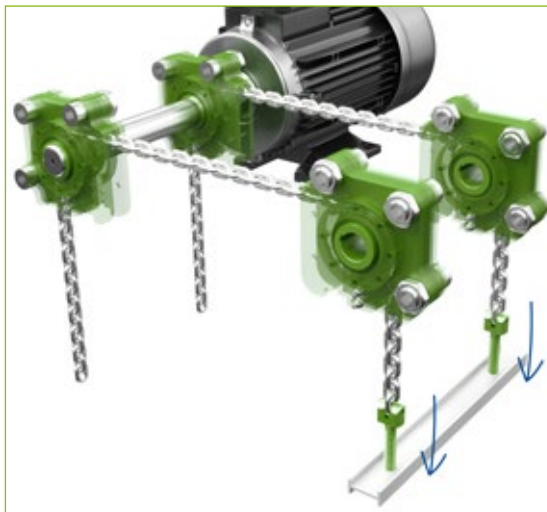


MORE THAN PRODUCTS. SOLUTIONS.

- ✓ 2-in-1-solution | 10% lighter | narrower
- ✓ The TECDOS drive unit with insert enables a 180° redirection
- ✓ When the insert is removed, the drive unit enables a redirection between 90° and 180°
- ✓ Lift at several points
The synchronization of the different lifting points is possible
- ✓ Durable, reliable and safe
- ✓ Flexible complete solutions for all requirements
- ✓ Easy installation of the drive and chain systems.
Even with longer applications. No stable mounting base needed
- ✓ Small sizes & heavy loads | quiet running | also in black
- ✓ Competent on-site service
- ✓ galvanized surface (doesn't apply to the entertainment area)



Horizontal PI-GAMMA drive
Also possible in 3 and 4 fold arrangements with drive units depending on the application.



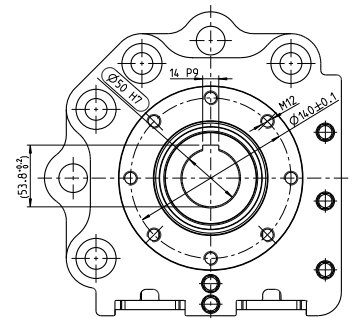
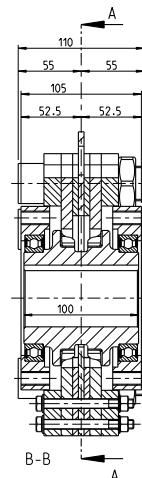
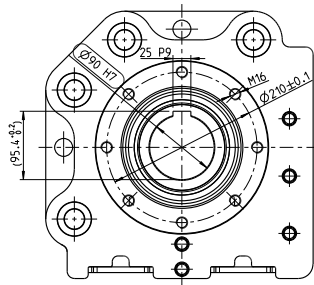
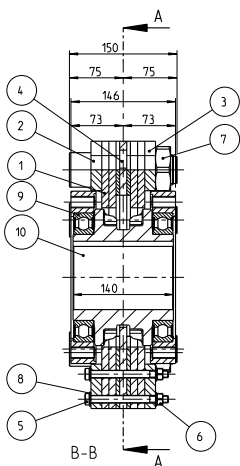
Double strand with PI-GAMMA drive
Also possible in 3 and 4 fold arrangements with drive units depending on the application.



Vertical PI-GAMMA drive
Also possible in 2, 3 and 4 fold arrangements with drive units depending on the application.



Chain	No. of Pockets	Pitch circle diameter [mm]	L1 [mm]	L3 [mm]	L5 [mm]	L6 [mm]	D1 [mm]	D2 [mm]	D3 [mm]	D4 [mm]	D5 [mm]	Version	Weight [kg]	Part nr.
TEC 6	6	58,4	145	145	60	50	30	75	M6 x 12	13	-	3 Loch	4,5	7910312
TEC 12	6	82,3	206	210	83	79	40	10	M8 x 20	14	25	4 Loch	12	7910647
TEC 25	6	108,0	259	265	110	105	50	140	M12 x 20	19	25	4 Loch	26	7910670
TEC 43	6	139,2	314	328	140	126	70	185	M16 x 30	22	25	4 Loch	55	7910702
TEC 65	6	174,5	373	373	150	146	90	210	M16 x 35	28	25	4 Loch	84	7910357



Contact us for more information.

1. Notice: Chain lubrication

When running over the drive and reversing wheels, the chain links are unwound under load. In order to minimise the friction between links, the hoist chain must be lubricated regularly in relation to the operating conditions.

2. Notice: Noise level

Regular chain service provides the noise level up to 30db(A).

