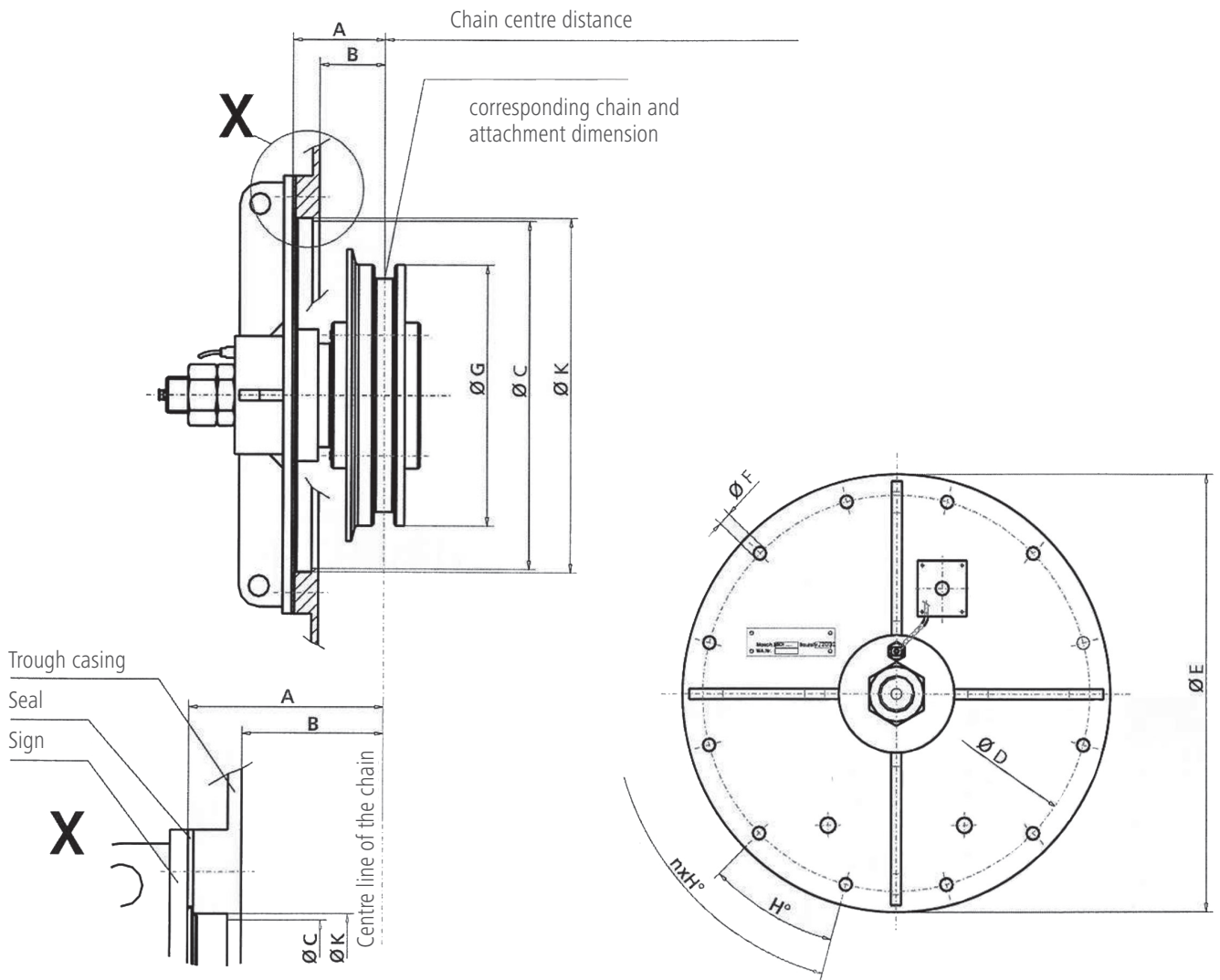


# SOI 1/2

## DIMENSION SHEET

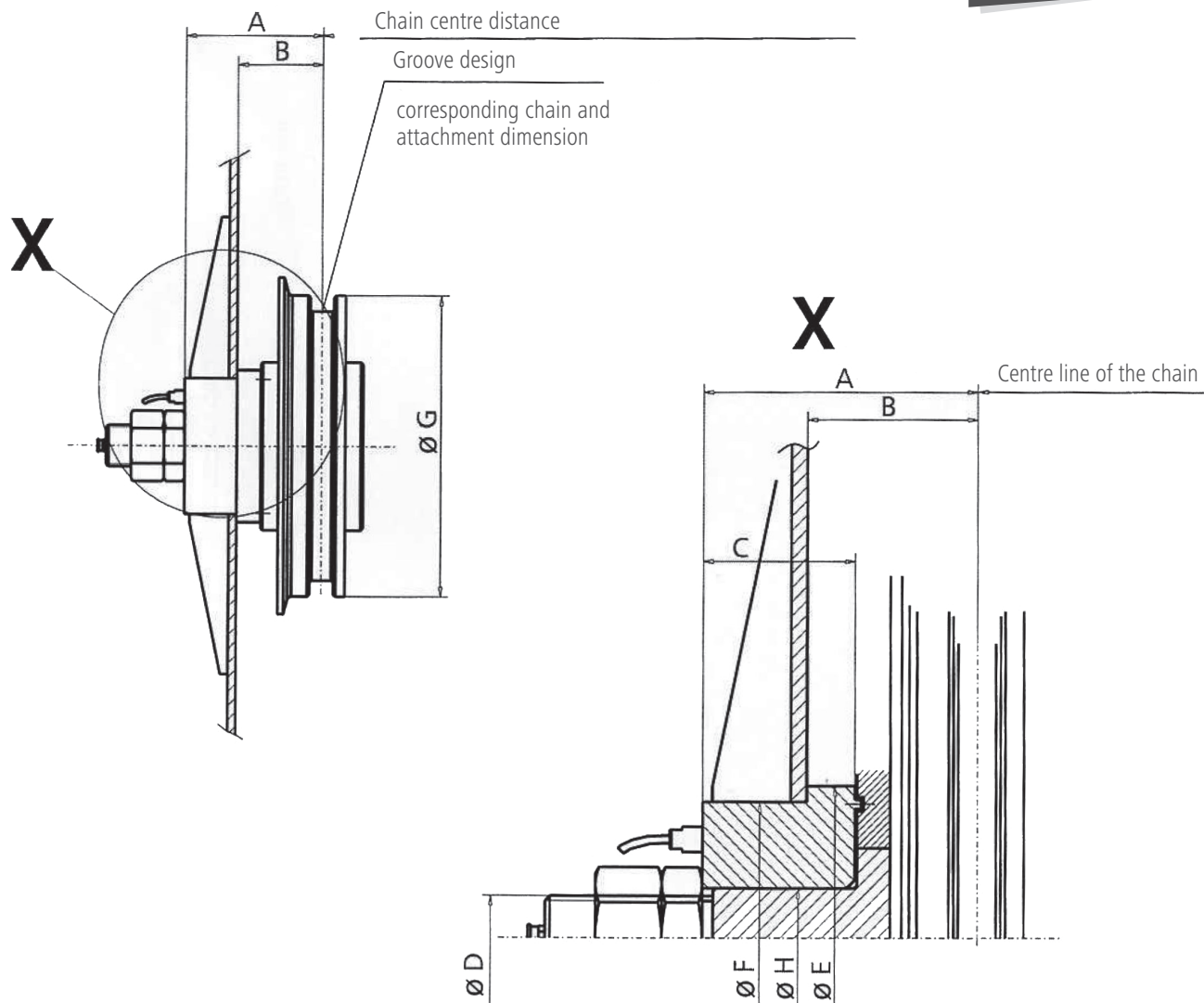


### Connecting and functional dimensions

	Dimension mm	n (number of bores in the plate):
A		
B		
Ø C		Chain type and dimension:
Ø D		
Ø E		
Ø F		Attachment type and dimension:
Ø G		
H°		
Ø K		

# TECHNICAL QUESTIONNAIRE FOR CONVEYOR SYSTEMS

TEL.: +49 (0) 7361 504-1457  
 FAX: +49 (0) 7361 504-1523  
 CONVEYOR@RUD.COM  
 WWW.RUD-CONVEYOR-SYSTEMS.COM



## Connecting and functional dimensions

Dimension mm	Chain type and dimension:
A	
B	
C	
ØD	
ØE	Attachment type and dimension:
ØF	
ØG	
ØH	