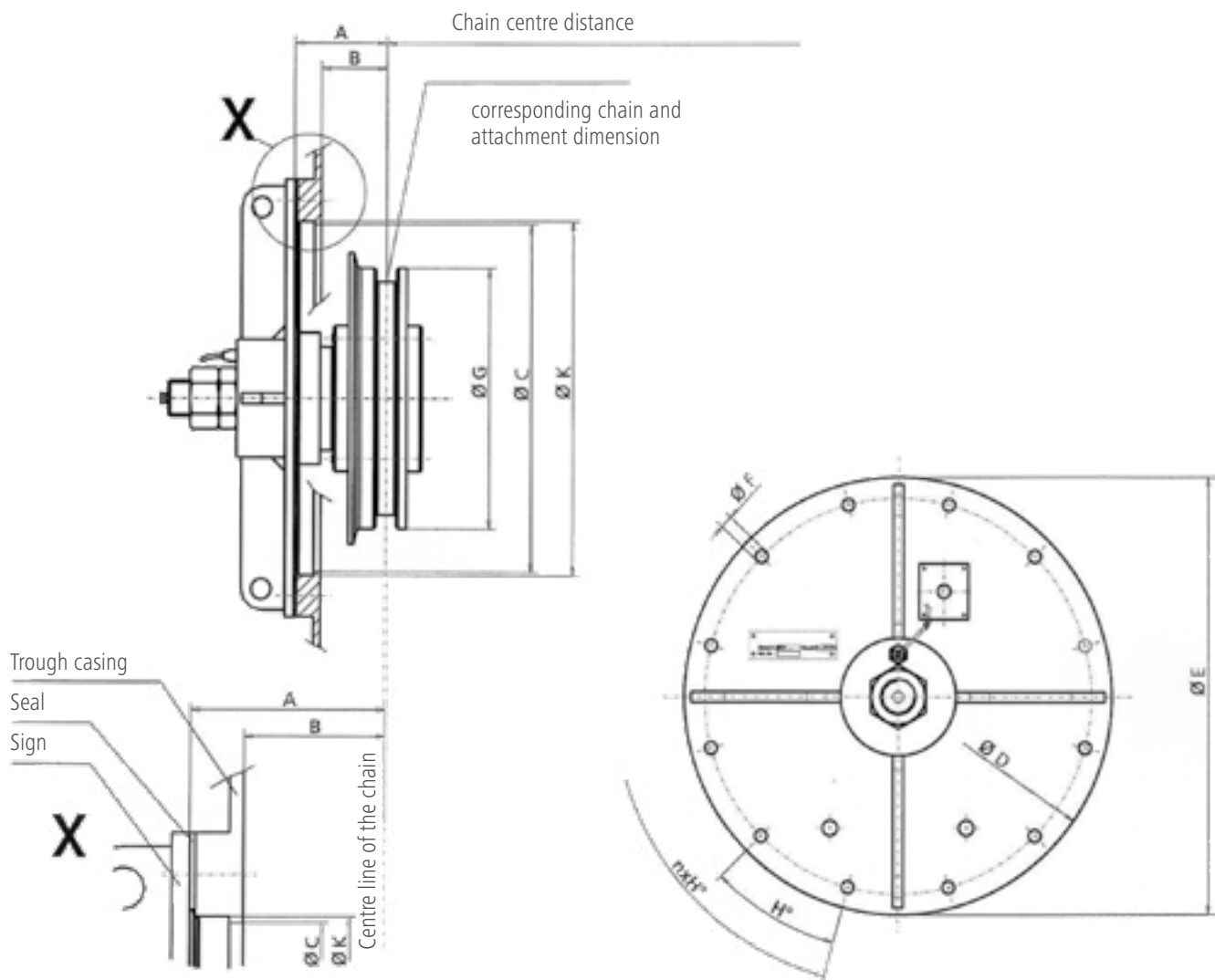


SOI 1/2

DIMENSION SHEET



Connecting and functional dimensions

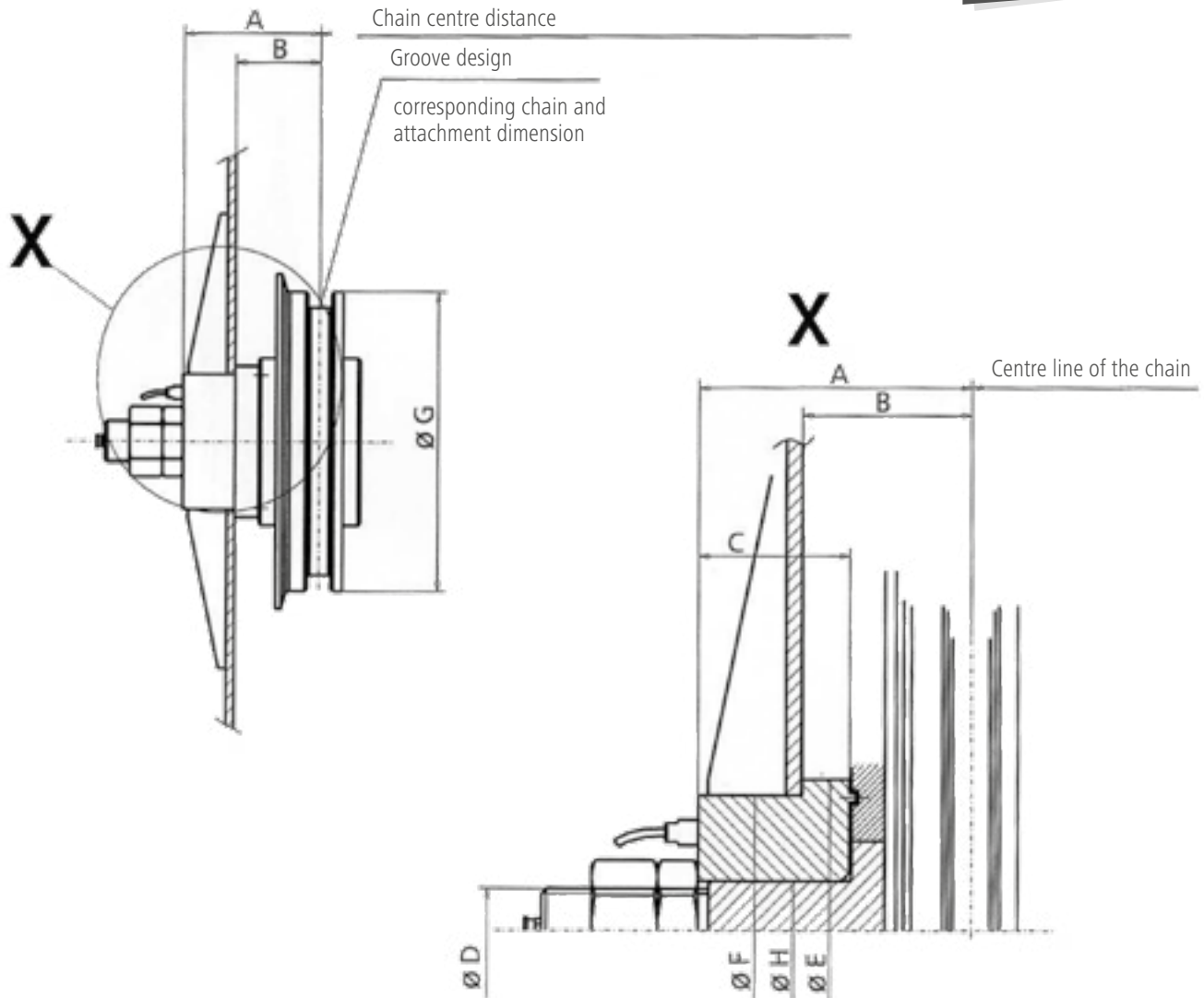
	Dimension mm	n (number of bores in the plate):
A		
B		
$\varnothing C$		Chain type and dimension:
$\varnothing D$		
$\varnothing E$		
$\varnothing F$		Attachment type and dimension:
$\varnothing G$		
H°		
$\varnothing K$		

TECHNICAL QUESTIONNAIRE FOR

CONVEYOR SYSTEMS

TEL.: +49 (0) 7361 504-1457

CONVEYOR@RUD.COM
WWW.RUD-CONVEYOR-SYSTEMS.COM



Connecting and functional dimensions

Dimension mm	Chain type and dimension:
A	
B	
C	
Ø D	
Ø E	Attachment type and dimension:
Ø F	
Ø G	
Ø H	